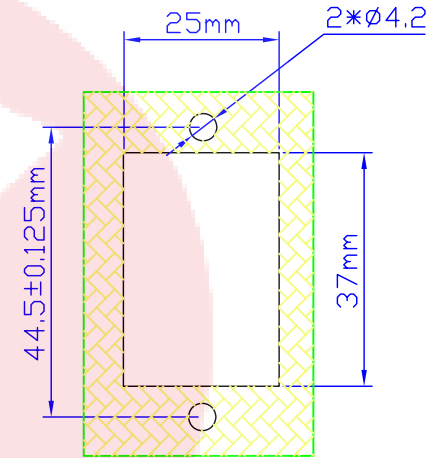
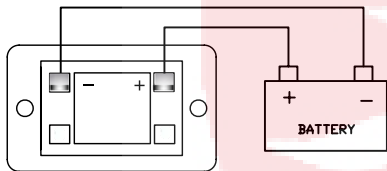


Panel Cutout

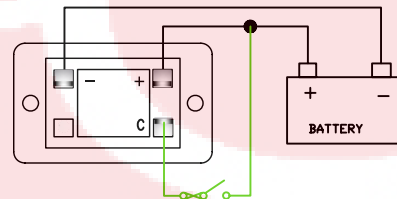


HZ12082V Wiring



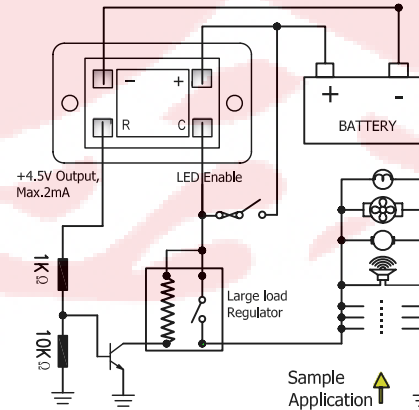
Directly connect to battery sets.

HZ12082VC Wiring - LED Enable



Control pin: connect to the ignition switch via fuse.

HZ12082VRC Wiring Diagram



**C (LED Enable):**  
When terminal C is applied and pin +&- connected, instrument works, but LED doesn't display. LED is enabled by connecting terminal C to high voltage (e.g. illumination switch).

**R (+4.5V Output, lockout):**  
R terminal has +4.5V output, and it cuts off the output when instrument detects that the battery is empty when #1&2 LED flash in turns.